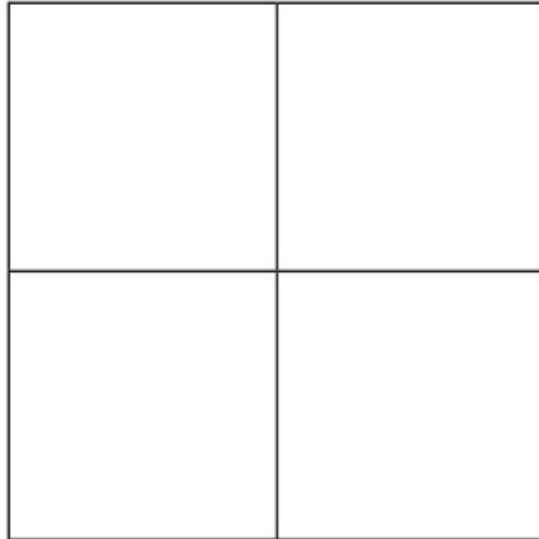
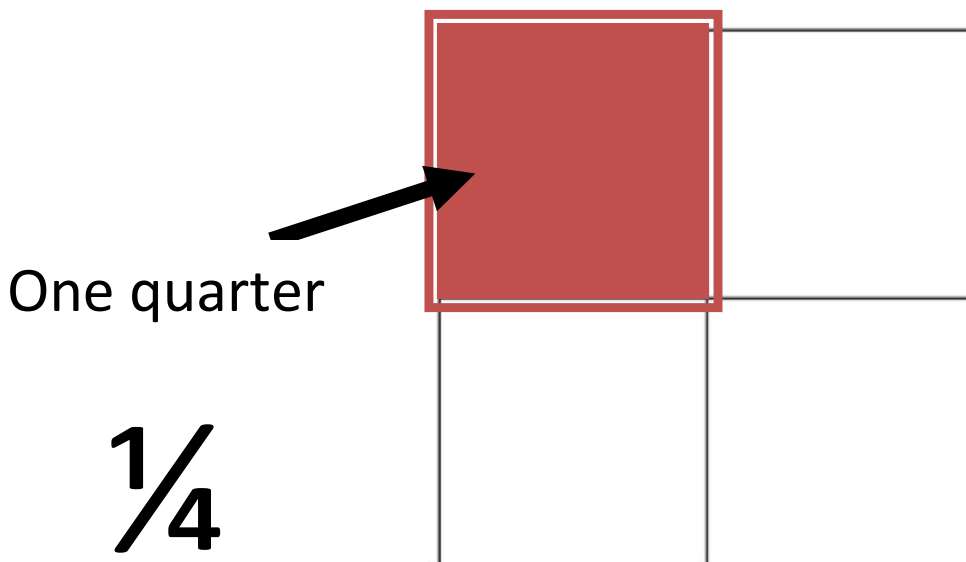


Finding Quarters

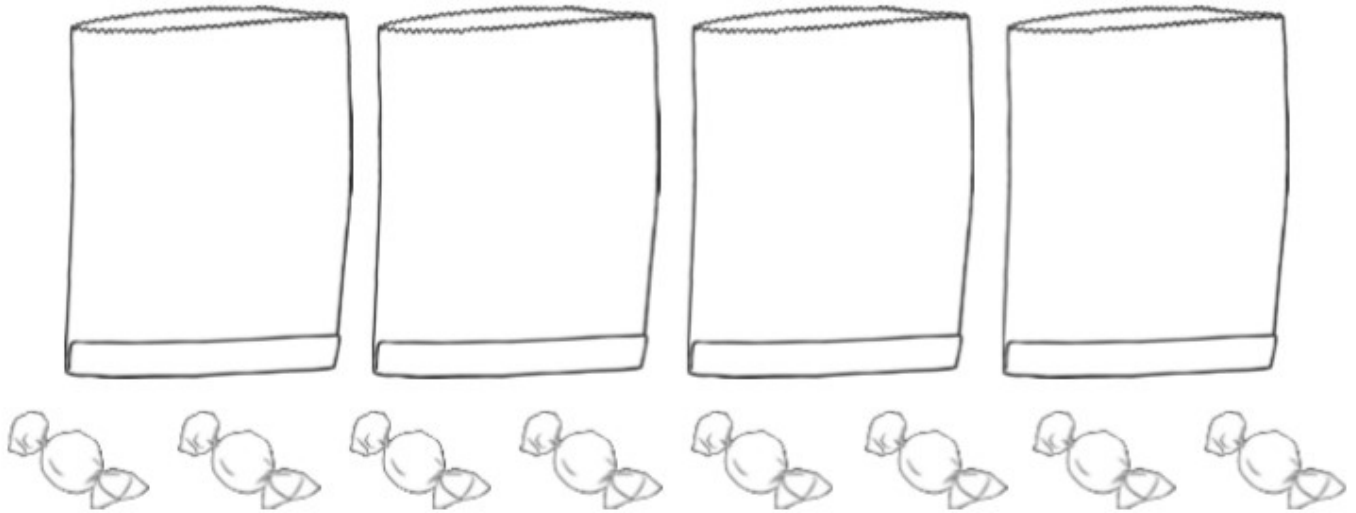
1. Colour each quarter a different colour. How many colours will you need?



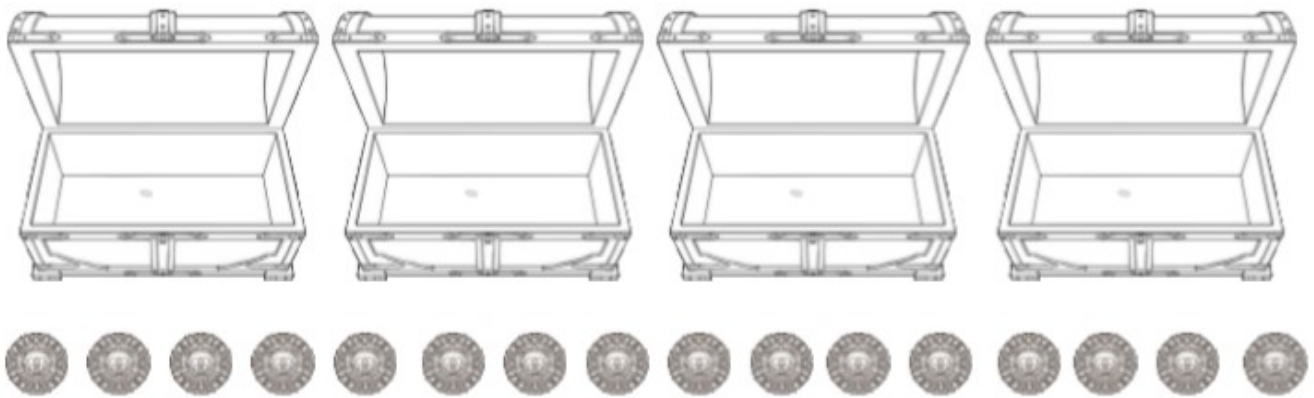
We know that a quarter is when something is split into 4. When we look at one of the parts we say it is a quarter or show it like this:



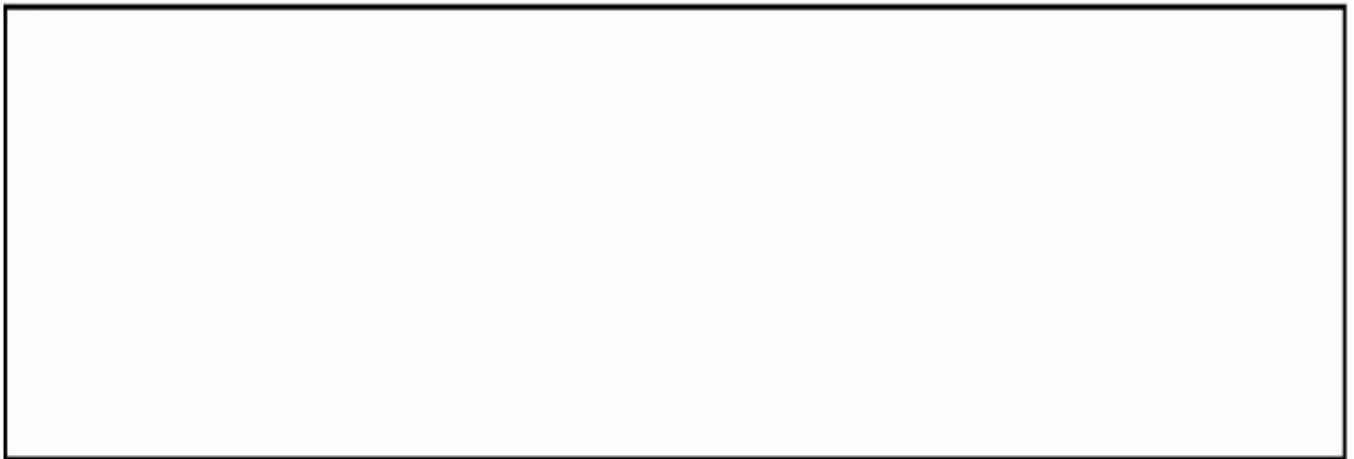
1. There are 8 sweets. Put $\frac{1}{4}$ of the sweets into each bag.



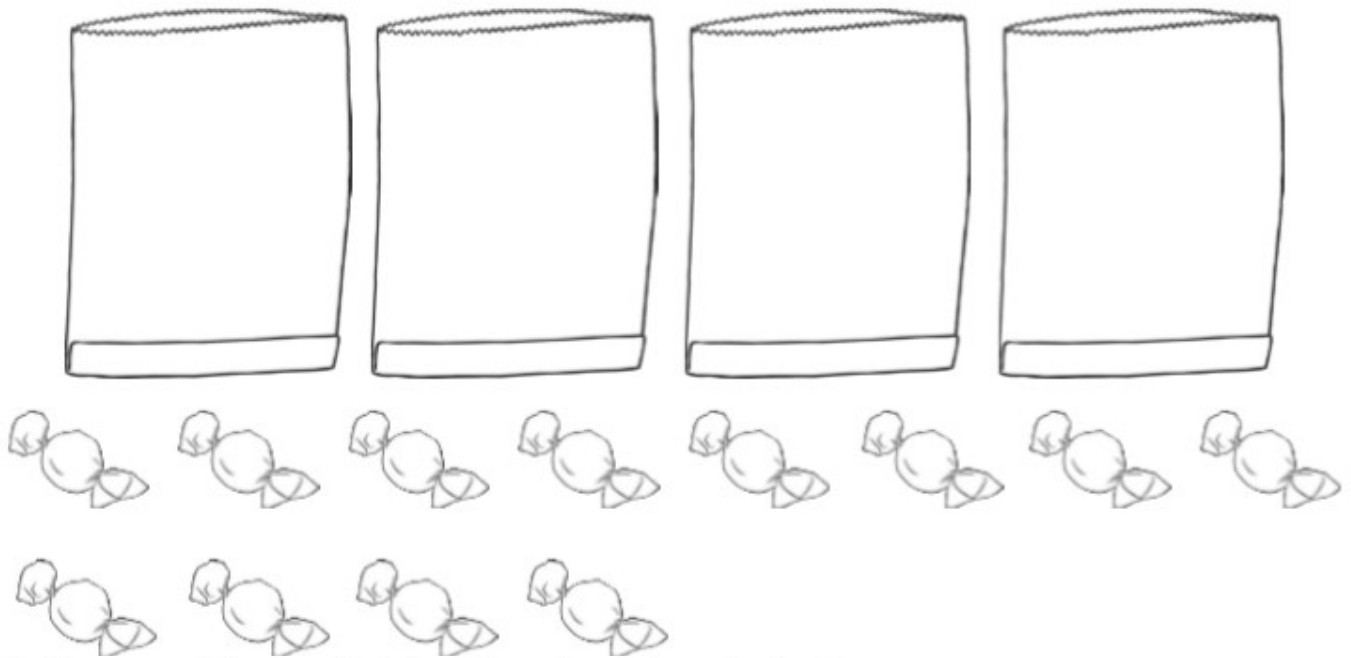
2. There are 16 coins. Put $\frac{1}{4}$ of the coins into each chest.



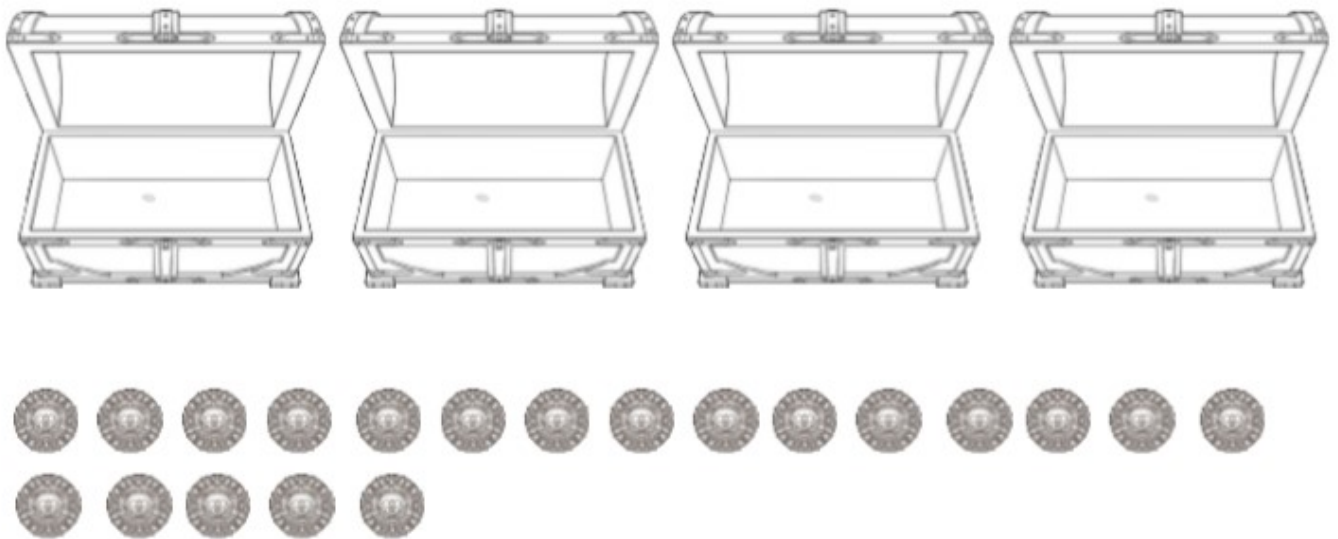
3. There are 20 children in the class. $\frac{1}{4}$ of them are boys. Draw the boys.



1. There are 12 sweets. Put $\frac{1}{4}$ of the sweets into each bag.



2. There are 20 coins. Put $\frac{1}{4}$ of the coins into each chest.



3. Colour $\frac{1}{4}$ of the flowers.

